

# **USER MANUAL**

## Next Level UM-1 Bracket Installation Directions

Thank you for purchasing the UM-1 mounting bracket. Please read the directions thoroughly and plan how the mount would be best installed for its intended use. Failure to do so may result in Damage, Serious Personal Injury, or voiding the warranty. It is the installer's responsibility to ensure all components are properly installed. Next Level Acoustics is not responsible for any damage or serious injury resulting from improper mounting or use of the UM-1 bracket.

These instructions are only a guide and the installer is responsible for the correct and secure mounting of all associated products. Please follow all manufactures instructions for any product being installed with the UM-1 bracket. Please note: Each Setup will be different and these directions may not account for every situation. The person installing the bracket should have experience mounting load bearing assemblies. For any questions or concerns, please contact technical support at Next Level Acoustics at 617-237-2875 or [info@nextlevelacoustics.com](mailto:info@nextlevelacoustics.com).



**CAUTION:** The UM-1 is intended for use only with the maximum weights **denoted below**. Use with heavier than the maximum weight indicated may result in instability causing possible serious injury or damage. Review all relevant manuals to ensure that the setup can handle the load.

- **12-15 lbs.** when mounting above the TV using the stock TV stand (max weight varies depending upon how wide the stock TV base is)
- **12-20 lbs.** when mounting above the TV in conjunction with a TV mount
- **30 lbs.** when mounting below the TV in conjunction with a TV mount

---

**DISCLAIMER:** Maximum weight measures are only guidelines and **ARE NOT** absolute! Use precaution when mounting.

## **Specifications**

- Shipping Dimensions: 22" x 4" x 4"
- Shipping Weight: 4 lbs.
- Bracket Weight: 3 lbs.

## **Tools Needed**

- 3/8" Wrench
- 7/16" Wrench
- A friend or 2, depending on how heavy your setup is

## **Parts Included**

- 1 UM-1 Left and Right Bracket Assemblies

## **Hardware Included**

- 4 #10 Nut
- 4 #10 Bolt
- 4 1/4" Nut

## **Mount Uses**

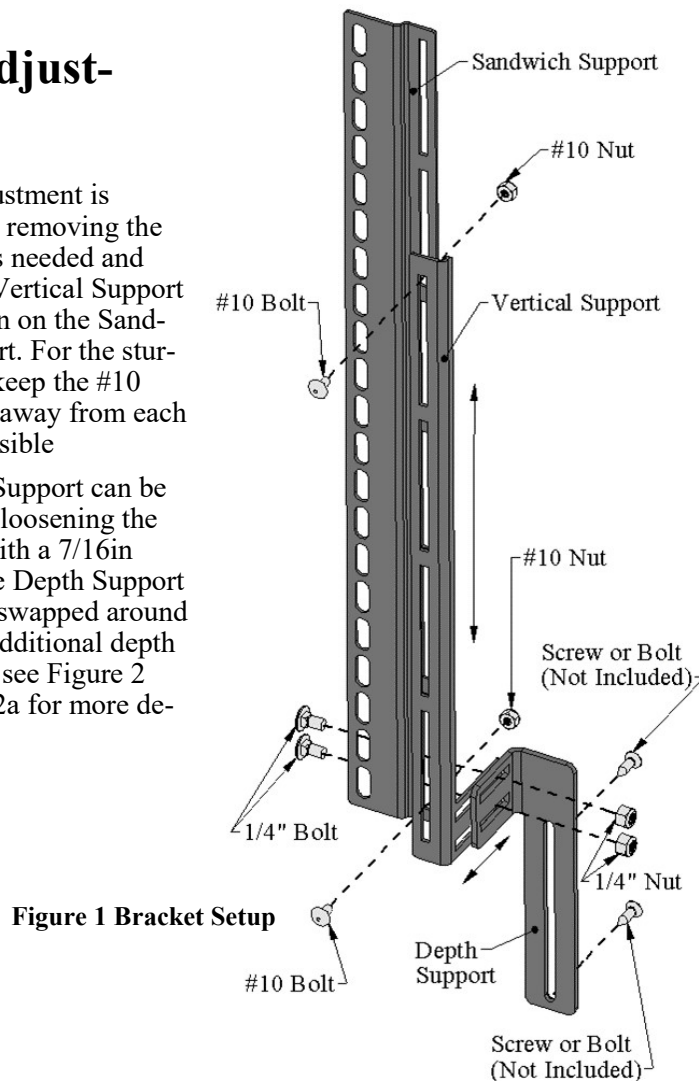
- The UM-1 is designed and tested to mount a Fusion Series Center Speaker, Fusion Series Soundbar, or Elite Closed Back Enclosure below the TV when using a TV mount within weight guidelines
- The UM-1 is designed and tested to mount a Sonos ® Playbar ® Wall Mount Kit and SONOS ® Playbar ® above or below the TV when using either the TV stand, or in conjunction with a TV mount within weight guidelines. Supports 300mm, 400mm and 500mm TV VESA spacing
- The UM-1 may be used to mount a third-party Center Speaker or Soundbar above or below the TV depending upon the mounting mechanism. Please note, Next Level Acoustics makes no guarantee that the UM-1 bracket will work with un-tested third-party products. All weight guidelines must be followed

## General Adjustments

- See Figure 1 for how the UM-1 bracket is assembled
- The UM-1 bracket supports full Height, Depth and Tilt adjustment
- The UM-1 bracket has a lot of adjustment to account for most TV-speaker combinations; it will take careful planning to find the best set-up for you

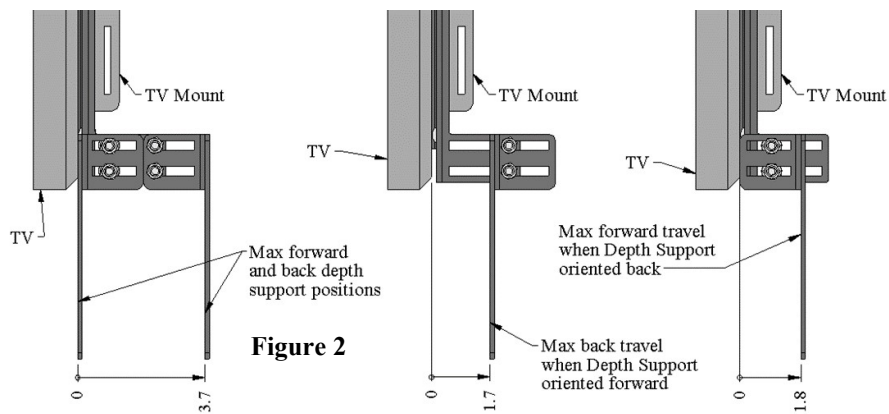
## Height Adjustments

- Height Adjustment is achieved by removing the #10 Bolts as needed and sliding the Vertical Support up and down on the Sandwich Support. For the sturdiest setup keep the #10 Bolts as far away from each other as possible
- The Depth Support can be adjusted by loosening the 1/4" Nuts with a 7/16in wrench. The Depth Support can also be swapped around to achieve additional depth adjustment, see Figure 2 and Figure 2a for more details

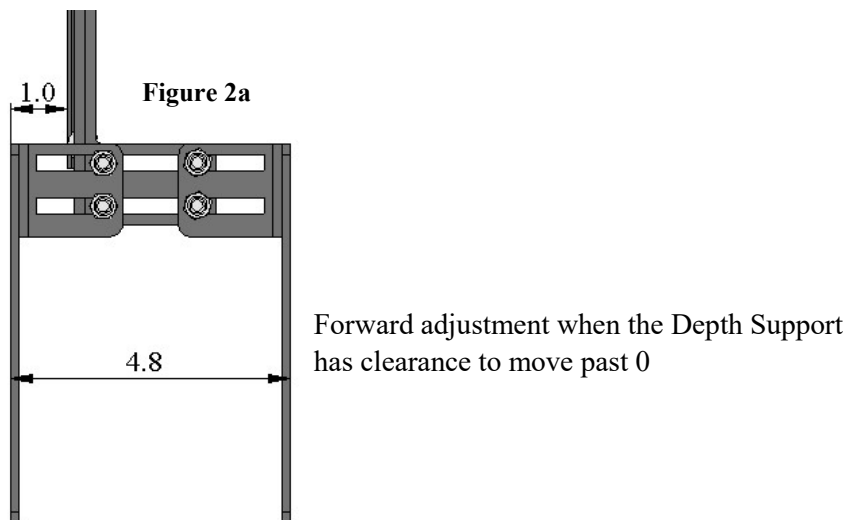


## Depth Adjustments

- Choose the proper depth adjustment permutation to perfectly line up the Center Speaker, Soundbar, or Enclosure with the top or bottom edge of the TV

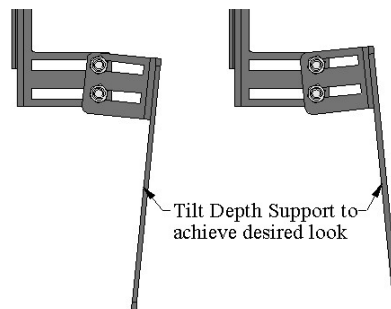


**\*\*You can also swap the Depth Supports to the other side of the bracket to achieve different anchor points\*\***



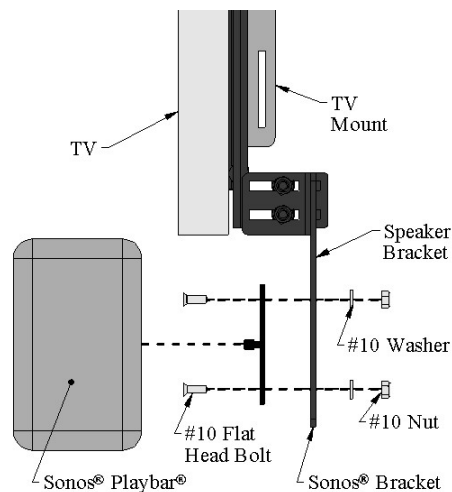
## Tilt Adjustments

- Choose the proper tilt adjustment angle to perfectly line up the Center Speaker, Soundbar, or Enclosure with the top or bottom edge of the TV



## Mounting Basic Recommendations

- Elite Series Closed Back Enclosure Below the TV**—Secure to the UM-1 Bracket Depth Support using two per bracket #10 or #12 1/2” screws and associated washers (not included)
- Fusion Series Center Channel and Soundbars Below the TV**—Drill a pilot hole and secure to the UM-1 bracket Depth Support using two #8 1/2” screws and associated washers and nuts per bracket (not included)
- Sonos® Playbar® mounted above or below the TV using the Sonos® Playbar® Wall Mount Kit**—Secure the Sonos® Playbar® Wall Mount Kit bracket to the UM-1 using (4), two on the top and two on the bottom, #10 3/4” flat head 10-24 machine screws with applicable washers and nuts (not included). **Depth Supports must be mounted to the Sandwich Support in the outside position (see diagram) in order work at 300mm, 400mm and 500mm TV VESA spacing**



## Attaching to the TV

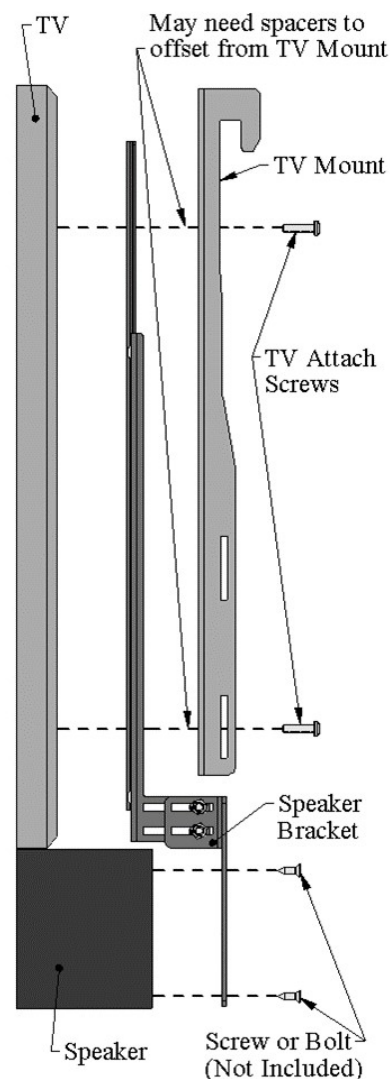
When attaching directly to the back of the TV without the use of a TV mount

- Determine the optimal bracket placement and line the Sandwich support's oval holes with the threaded holes on the back of your TV. Secure the Sandwich Support to the back of the TV using the TV manufacturer's recommended hardware
- If your TV has bump outs, spacers may be needed. (Spacers are not included)

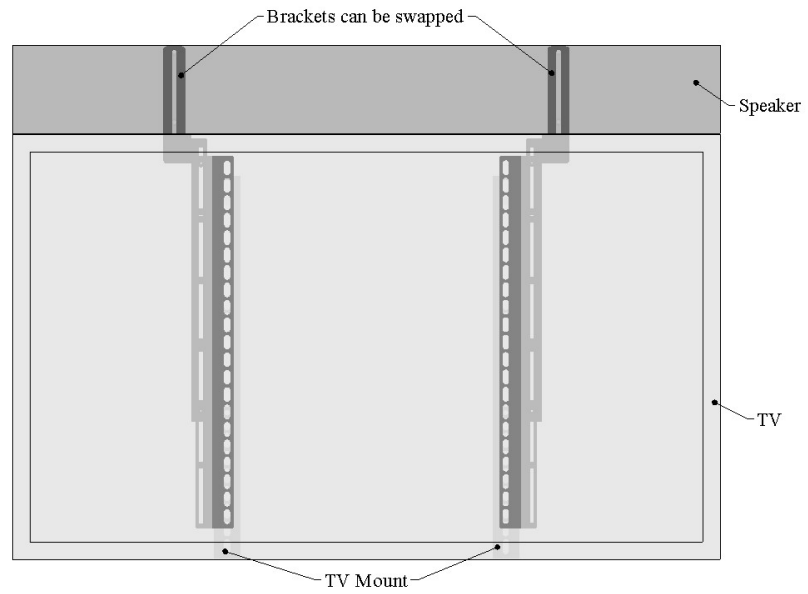
When attaching directly to the back of the TV in conjunction with a TV mount

- Mount the Sandwich Support between the TV Mount and the TV. Make sure all 4 screws go through the Sandwich Support and anchor snugly into the threaded holes on the back of the TV. Spacers may be needed if the Sandwich Support interferes with the TV Mount. For most dual hanger style TV brackets spacers will not be needed
- If your TV has bump outs, spacers may be needed. (Spacers are not included)

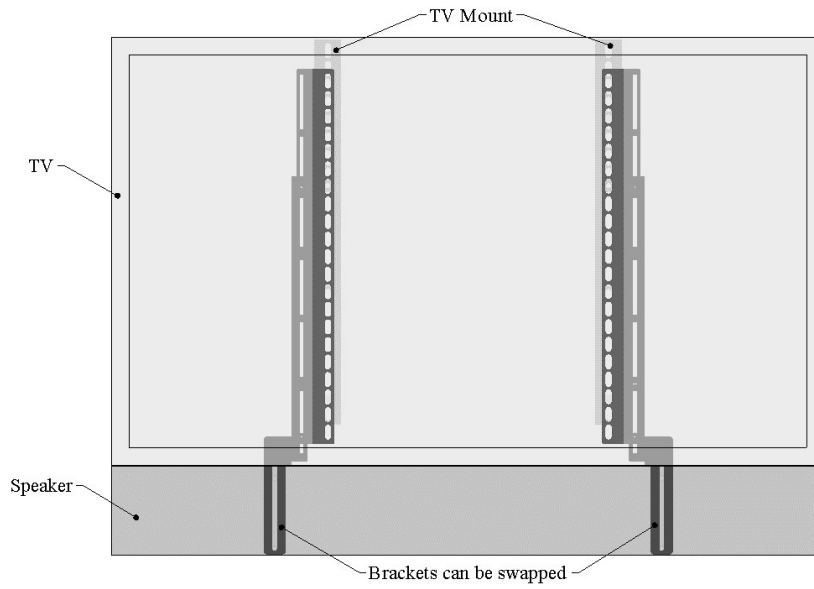
**\*\* Before mounting, consult your TV's owner manual / TV mount's manual and follow all safety precautions.**



## Mounting above the TV example



## Mounting below the TV example





## **Limited Warranty**

Next Level Acoustics guarantees the UM-1 to be free of defects for the product's warranty period of 5 years.

The warranty period begins on the original date of shipping. The limited warranty is intended only for the original purchaser. The warranty will be void if the bracket is modified in anyway or not installed correctly, including overloading, abuse, or use for any purpose other than specified in these directions. The UM-1 is for indoor only and any use outdoors will void this warranty.

Next Level Acoustics is not liable for any damage or injury caused from the use of or the inability to use our bracket. To the maximum extent permitted by applicable law, Next Level Acoustics disclaims any responsibility for incidental or consequential damages.

**DISCLAIMER:** Next Level Acoustics has **NO** affiliation with Sonos, Inc. Sonos ® and Playbar ® are registered trademarks of Sonos, Inc.

**WWW.NEXTLEVELACOUSTICS.COM**

**(617) 237-2875**